

PARTS LIST

[AX-M9000]

* All printed circuit boards and its assemblies are not available as service parts.

Area suffix
 E ----- Continental Europe

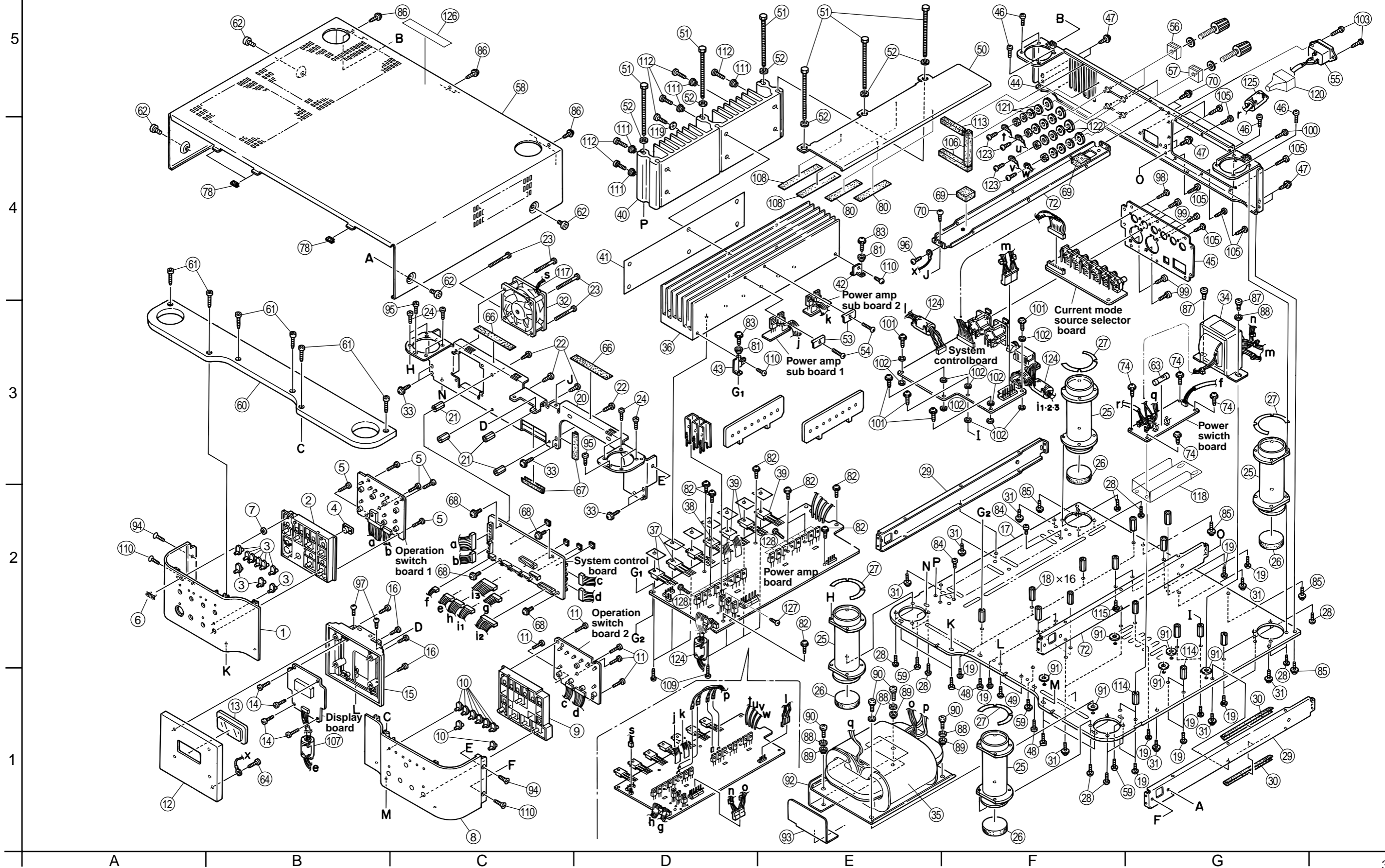
- Contents -

| | |
|--|------|
| Exploded view of general assembly and parts list | 3- 3 |
| Electrical parts list | 3- 6 |
| Packing materials and accessories parts list | 3-14 |

< MEMO >

Exploded view of general assembly and parts list

Block No. **M 1 M M**



■ Parts list (General assembly)

Block No. M1MM

| △ | Item | Parts number | Parts name | Q'ty | Description | Area |
|---|------|--------------|-----------------|------|------------------|------|
| | 1 | LV20597-002A | FRONT PANEL(L) | 1 | | |
| | 2 | LV20601-002A | PUSH BUTTON | 1 | POWER | |
| | 3 | LV41472-001A | INDICATOR | 9 | POWER ETC | |
| | 4 | E408131-001 | REMOTE LENS | 1 | REMOCON | |
| | 5 | QYSDSF2608M | TAP SCREW | 5 | | |
| | 6 | E409213-003 | JVC MARK | 1 | | |
| | 7 | E60912-003 | SPEED NUT | 1 | JVC MARK | |
| | 8 | LV20598-001A | FRONT PANEL(R) | 1 | | |
| | 9 | LV20602-002A | PUSH BUTTON | 1 | SOURCE | |
| | 10 | LV41472-001A | INDICATOR | 8 | SOURCE | |
| | 11 | QYSDSF2608M | TAP SCREW | 5 | | |
| | 12 | LV31594-001A | SUB PANEL | 1 | | |
| | 13 | LV41436-001A | LENS | 1 | | |
| | 14 | QYSDSF2608M | TAP SCREW | 4 | | |
| | 15 | LV20599-002A | S.PANEL BASE | 1 | | |
| | 16 | QYSPST3006E | SCREW | 4 | FOR S.P.BASE | |
| | 17 | LV10310-003A | CHASSIS BASE | 1 | | |
| | 18 | E406868-003 | STUD | 16 | | |
| | 19 | QYSBST3008E | T.SCREW | 19 | FOR STUD | |
| | 20 | LV10311-001A | FRONT BKT | 1 | | |
| | 21 | E406868-003 | STUD | 4 | | |
| | 22 | QYSBST3006E | T.SCREW | 4 | FOR STUD | |
| | 23 | QYSDSP3030Z | SCREW | 4 | FAN-F.BKT | |
| | 24 | QYSPSP3005E | SCREW | 8 | FOOT-F.B | |
| | 25 | LV31596-003A | FOOT | 4 | | |
| | 26 | LV41700-001A | SPACER | 4 | FOOT | |
| | 27 | LV41690-001A | SPACER | 4 | FOOT | |
| | 28 | QYSPSP3006M | SCREW | 16 | FOOT | |
| | 29 | LV20603-002A | SIDE BKT | 2 | | |
| | 30 | LV30225-072A | SPACER | 2 | SIDE BKT | |
| | 31 | QYSBSGG3008E | T.SCREW | 9 | CHASSIS-S.B | |
| | 32 | QAR0131-001 | FAN MOTOR | 1 | | |
| | 33 | QYSBSGG3008E | T.SCREW | 6 | FRONT.B-S.B | |
| | 34 | QQT0289-002 | POWER TRANSF | 1 | | |
| | 35 | QQT0291-003 | POWER TRANSF | 1 | | |
| | 36 | LV20604-002A | HEAT SINK(A) | 1 | | |
| | 37 | 2SC3519A | TRANSISTOR | 3 | Q335, Q337, Q339 | |
| | 38 | 2SD1200F/QR/ | TRANSISTOR | 1 | Q395 | |
| | 39 | 2SA1386A | TRANSISTOR | 3 | Q336, Q338, Q340 | |
| | 40 | LV20605-002A | HEAT SINK(B) | 1 | | |
| | 41 | LV31597-001A | SHEET | 1 | H.SINK-H.SINK | |
| | 42 | LV41484-001A | H.S BKT(R) | 1 | | |
| | 43 | LV41437-001A | H.S BKT | 1 | | |
| | 44 | LV10312-005A | REAR PANEL | 1 | | |
| | 45 | LV20606-003A | REAR PANEL(PRE) | 1 | | |
| | 46 | QYSPSP3005E | SCREW | 8 | R.P-FOOT | |
| | 47 | QYSBSGG3008E | T.SCREW | 6 | R.P-SIDE BKT | |
| | 48 | QYSDSG3008E | T.SCREW | 6 | F.P-CHASSIS | |

■ Parts list (General assembly)

Block No. M1MM

| △ | Item | Parts number | Parts name | Q'ty | Description | Area |
|---|------|-----------------|---------------|------|-----------------|------|
| | 49 | QYSBSF3010E | SCREW | 2 | S.P-CHASSIS | |
| | 50 | LV31634-001A | H.SINK COVER | 1 | | |
| | 51 | QYBNSP5080E | SPECIAL SCREW | 6 | H.SINK-CHASS | |
| | 52 | QYWSS53A010E | ASHER | 6 | SPECIAL SCREW | |
| | 53 | E408013-001 | TR BKT | 2 | | |
| | 54 | QYSBSG3008E | T.SCREW | 2 | TR BKT-H.SINK | |
| | 55 | QNC0013-001 | AC INLET | 1 | J1 | |
| | 56 | QNB0121-002 | SPK.TERMINAL | 2 | SPK TERM(L) | |
| | 57 | QNB0121-001 | SPK.TERMINAL | 2 | SPK TERM(R) | |
| | 58 | LV10313-002A/S/ | METAL COVER | 1 | | |
| | 59 | QYSBSGG3008E | T.SCREW | 3 | CHASSIS-F.B | |
| | 60 | LV20600-001A | TOP PLATE | 1 | | |
| | 61 | LV40744-001A | SOCKET BOLT | 6 | | |
| | 62 | E75314-001 | SPECIAL SCREW | 4 | | |
| △ | 63 | QMF51E2-5R0-J1 | FUSE | 1 | F1 | |
| | 64 | QYSPSP3005E | SCREW | 1 | BUB PANEL | |
| | 66 | LV30225-071A | SPACER | 2 | FRONT BKT | |
| | 67 | LV30225-074A | SPACER | 2 | | |
| | 68 | QYSBSTG3006E | T.SCREW | 4 | FOR C.B | |
| | 69 | LV30225-075A | SPACER | 2 | SIDE BKT | |
| | 70 | QYSBSG3006E | T.SCREW | 3 | F.B-S.B-R.P | |
| | 72 | LV20603-001A | SIDE BKT | 2 | | |
| | 74 | QYSBSTG3006E | T.SCREW | 4 | | |
| | 78 | LV30225-073A | SPACER | 3 | METAL COVER | |
| | 80 | LV30225-076A | SPACER | 2 | H.SINK COVER | |
| | 81 | BUSH-PUL | BUSHING | 2 | MAIN C.B | |
| | 82 | QYSBSTG3006E | T.SCREW | 9 | MAIN C.B | |
| | 83 | QYSBST3008E | T.SCREW | 2 | MAIN C.B | |
| | 84 | QYSPST3004N | SCREW | 3 | SHASSIS | |
| | 85 | QYSBSGG3008E | T.SCREW | 4 | R.P-CHASSIS | |
| | 86 | QYSBSGG3008E | T.SCREW | 3 | | |
| | 87 | QYSPSPD4008E | SCREW | 2 | POWER TRANS | |
| | 88 | E73967-005 | SPACER | 5 | POWER TRANS | |
| | 89 | E69591-001 | SPACER | 3 | POWER TRANS | |
| | 90 | QYSDSTL4010E | SPECIAL SCREW | 4 | POWER TRANS | |
| | 91 | E407406-001 | SPACER | 6 | FOR P.TRANS | |
| | 92 | LV32027-001A | BARRIER | 1 | POWER TRANS | |
| | 93 | LV41778-001A | BARRIER | 1 | POWER TRANS | |
| | 94 | QYSSSG3008E | T.SCREW | 2 | F.BKT-F.P | |
| | 95 | QYSDSG3008E | T.SCREW | 2 | F.BKT-F.P | |
| | 96 | QYSBSG3006E | T.SCREW | 1 | FOR WIRE TO S.B | |
| | 97 | QYSDSG3008E | T.SCREW | 2 | F.BKT-S.PANEL B | |
| | 98 | QYSBSG3008E | T.SCREW | 5 | LINE PIN | |
| | 99 | QYSBST3006E | T.SCREW | 4 | BALANCE | |
| | 100 | E74266-002 | SPECIAL SCREW | 1 | LINE PIN | |
| | 101 | QYSBSTG3006E | T.SCREW | 5 | | |
| | 102 | E73967-010 | SPACER | 10 | | |
| | 103 | QYSBSGY3008E | SPECIAL SCREW | 2 | AC INLET | |

Parts list (General assembly)

Block No. M1MM

| ▲ | Item | Parts number | Parts name | Q'ty | Description | Area |
|---|------|--------------|---------------|------|----------------|------|
| | 105 | QYSBSG3008E | T.SCREW | 10 | R.P-SHIELD B.T | |
| | 106 | LV30225-084A | SPACER | 2 | REAR PANEL | |
| | 107 | QQR0594-001 | NOISE FILTER | 1 | | |
| | 108 | LV30225-071A | SPACER | 2 | H.SINK(B) | |
| | 109 | QYSPSPD3010N | SCREW | 7 | P.TR | |
| | 110 | QYSPSP3006M | SCREW | 2 | H.SINK-H.S.BKT | |
| | 111 | E69591-001 | SPACER | 5 | SCREW | |
| | 112 | QYSPSP4012E | T.SCREW | 6 | H.SINK-H.SINK | |
| | 113 | LV30225-084A | SPACER | 1 | | |
| | 114 | E406868-006 | STUD | 4 | | |
| | 115 | QYSDSTY3008X | SCREW | 1 | | |
| | 116 | QYSSSG3008E | T.SCREW | 2 | F.P-S.BKT | |
| | 117 | WJA0032-001A | E-S ID WIRE | 1 | | |
| | 118 | LV42507-001A | PROTECT COVER | 1 | | |
| | 119 | QYWBS438505E | WASHER | 1 | | |
| | 120 | LV42307-001A | PROTECT COVER | 1 | | |
| | 121 | LV42506-001A | WASHER | 2 | | |
| | 122 | LV42506-001A | WASHER | 2 | | |
| | 123 | QYSPSPL3005Z | SCREW | 4 | | |
| | 124 | QQR0594-001 | NOISE FILTER | 3 | | |
| | 125 | QQR0491-001 | NOISE FILTER | 1 | | |
| | 126 | E409396-001 | CAUTION LABEL | 1 | | |
| | 127 | QYSBSG3006E | T.SCREW | 3 | | |
| | 128 | QYSBSG3006E | T.SCREW | 16 | | |

■ Electrical parts list (Power amp board) Block No. 01

| △ | Item | Parts number | Parts name | Remarks | Area | △ | Item | Parts number | Parts name | Remarks | Area |
|---|-------|--------------|--------------|----------------|------|---|-------|--------------|---------------|---------------|------|
| | C 1 | QFVJ1HJ-105Z | MF CAPACITOR | 1.0MF 5% 50V | | | C 421 | QCZ9016-103 | C CAPACITOR | .010MF | |
| △ | C 2 | QCZ9016-103 | C CAPACITOR | .010MF | | | C 422 | QCZ9016-103 | C CAPACITOR | .010MF | |
| | C 3 | QFVJ1HJ-105Z | MF CAPACITOR | 1.0MF 5% 50V | | | C 431 | QTE1E26-227Z | E CAPACITOR | | |
| △ | C 4 | QCZ9016-103 | C CAPACITOR | .010MF | | | C 432 | QTE1E26-227Z | E CAPACITOR | | |
| | C 104 | QCS32HJ-101Z | C CAPACITOR | 100PF 5% 500V | | | C 451 | QFLC1HJ-102Z | M CAPACITOR | 1000PF 5% 50V | |
| | C 105 | QCS32HJ-101Z | C CAPACITOR | 100PF 5% 500V | | | C 452 | QTE1H26-106Z | E CAPACITOR | | |
| | C 106 | QCS32HJ-101Z | C CAPACITOR | 100PF 5% 500V | | | C 453 | NCF21HZ-103X | C CAPACITOR | | |
| | C 107 | QCS32HJ-101Z | C CAPACITOR | 100PF 5% 500V | | | C 454 | NCF21CZ-155X | C CAPACITOR | | |
| | C 108 | QCS32HJ-101Z | C CAPACITOR | 100PF 5% 500V | | | C 455 | QTE1H26-226Z | E CAPACITOR | | |
| | C 113 | QCS32HJ-101Z | C CAPACITOR | 100PF 5% 500V | | | C 456 | QFLC1HJ-223Z | M CAPACITOR | .022MF 5% 50V | |
| | C 123 | NCF21CZ-155X | C CAPACITOR | | | | C 457 | QTE1C26-476Z | E CAPACITOR | | |
| | C 124 | NCF21CZ-155X | C CAPACITOR | | | | C 458 | QTE1A26-227Z | E CAPACITOR | | |
| | C 125 | NCF21CZ-155X | C CAPACITOR | | | | C 459 | QTE1E26-107Z | E CAPACITOR | | |
| | C 126 | NCF21CZ-155X | C CAPACITOR | | | | C 499 | QFVF1HJ-104Z | MF CAPACITOR | .10MF 5% 50V | |
| | C 301 | QFZ0160-151Z | PP CAPACITOR | 150PF | | | C 500 | QFZ0160-330Z | PP CAPACITOR | 33PF | |
| | C 302 | QFZ0160-151Z | PP CAPACITOR | 150PF | | | C 599 | QFVF1HJ-104Z | MF CAPACITOR | .10MF 5% 50V | |
| | C 303 | QCS32HJ-100Z | C CAPACITOR | 10PF 5% 500V | | | C 600 | QFZ0160-151Z | PP CAPACITOR | 150PF | |
| | C 304 | QFZ0160-470Z | PP CAPACITOR | 47PF | | | CN111 | QGA2001C1-13 | 13P PLUG ASSY | | |
| | C 305 | QCS32HJ-101Z | C CAPACITOR | 100PF 5% 500V | | | CN301 | QGA2503C1-04 | 4P PLUG ASSY | | |
| | C 306 | QFZ0160-271Z | PP CAPACITOR | 270PF | | | CN303 | QGA2503C1-04 | 4P PLUG ASSY | | |
| | C 311 | QFZ0160-330Z | PP CAPACITOR | 33PF | | | CN304 | QGA2503C1-04 | 4P PLUG ASSY | | |
| | C 312 | QFZ0160-330Z | PP CAPACITOR | 33PF | | | CN401 | QGA3903C1-03 | PLUG ASSY | | |
| | C 313 | QFVF1HJ-104Z | MF CAPACITOR | .10MF 5% 50V | | | CN402 | QGA3903C1-03 | PLUG ASSY | | |
| | C 314 | QFVF1HJ-104Z | MF CAPACITOR | .10MF 5% 50V | | | CN453 | QGA2502C1-02 | PLUG ASSY | | |
| | C 315 | QFZ0160-330Z | PP CAPACITOR | 33PF | | △ | CP401 | ICP-N10-T | ICP | | |
| | C 316 | QFZ0160-330Z | PP CAPACITOR | 33PF | | △ | CP402 | ICP-N20-T | ICP | | |
| | C 317 | QFZ0160-330Z | PP CAPACITOR | 33PF | | △ | CP403 | ICP-N50-T | ICP | | |
| | C 318 | QFZ0160-330Z | PP CAPACITOR | 33PF | | △ | D 301 | HZ3ALL-T2 | Z DIODE | | |
| | C 319 | QFKA2AK-105 | CAPACITOR | 1.0MF 10% 100V | | △ | D 302 | HZ3ALL-T2 | Z DIODE | | |
| | C 331 | QFZ0160-221Z | NH CAPACITOR | 220PF | | | D 303 | HZ3ALL-T2 | Z DIODE | | |
| | C 334 | QFZ0160-221Z | NH CAPACITOR | 220PF | | | D 304 | HZ3ALL-T2 | Z DIODE | | |
| | C 351 | QFV72AJ-104Z | MF CAPACITOR | .10MF 5% 100V | | | D 307 | 1SS133-T2 | SI DIODE | | |
| | C 352 | QFV72AJ-104Z | MF CAPACITOR | .10MF 5% 100V | | | D 308 | 1SS133-T2 | SI DIODE | | |
| | C 353 | QFVF1HJ-104Z | MF CAPACITOR | .10MF 5% 50V | | | D 309 | 1SS82-T2 | DIODE | | |
| | C 354 | QFVF1HJ-104Z | MF CAPACITOR | .10MF 5% 50V | | | D 310 | 1SS82-T2 | DIODE | | |
| | C 355 | QFV72AJ-104Z | MF CAPACITOR | .10MF 5% 100V | | | D 311 | HZ3ALL-T2 | Z DIODE | | |
| | C 356 | QFV72AJ-104Z | MF CAPACITOR | .10MF 5% 100V | | | D 312 | HZ3ALL-T2 | Z DIODE | | |
| | C 357 | QFV72AJ-104Z | MF CAPACITOR | .10MF 5% 100V | | △ | D 341 | 1SS82-T2 | DIODE | | |
| | C 358 | QFV72AJ-104Z | MF CAPACITOR | .10MF 5% 100V | | △ | D 342 | 1SS82-T2 | DIODE | | |
| | C 381 | QFZ0158-223 | PP CAPACITOR | .022MF | | △ | D 343 | 1SS82-T2 | DIODE | | |
| | C 382 | QFZ0158-223 | PP CAPACITOR | .022MF | | △ | D 344 | 1SS82-T2 | DIODE | | |
| | C 383 | QTMN1HM-107Z | E CAPACITOR | | | | D 345 | 1SS82-T2 | DIODE | | |
| | C 384 | QTMN1HM-107Z | E CAPACITOR | | | | D 346 | 1SS82-T2 | DIODE | | |
| | C 395 | QFLC1HJ-472Z | M CAPACITOR | 4700PF 5% 50V | | | D 351 | HZ3ALL-T2 | Z DIODE | | |
| | C 400 | QFZ0160-120Z | PP CAPACITOR | 12PF | | | D 352 | HZ3ALL-T2 | Z DIODE | | |
| | C 401 | QEZ0519-228 | E CAPACITOR | 2200MF | | | D 361 | 1SS82-T2 | DIODE | | |
| | C 402 | QEZ0519-228 | E CAPACITOR | 2200MF | | △ | D 381 | HZ16-3L-T2 | Z DIODE | | |
| | C 403 | QEZ0519-228 | E CAPACITOR | 2200MF | | △ | D 382 | HZ16-3L-T2 | Z DIODE | | |
| | C 404 | QEZ0519-228 | E CAPACITOR | 2200MF | | △ | D 401 | F10KF20 | DIODE | | |
| | C 405 | QEZ0519-228 | E CAPACITOR | 2200MF | | △ | D 402 | F10KF20 | DIODE | | |
| | C 406 | QEZ0519-228 | E CAPACITOR | 2200MF | | △ | D 403 | F10KF20 | DIODE | | |
| | C 407 | QEZ0500-158 | E CAPACITOR | 1500MF | | △ | D 404 | F10KF20 | DIODE | | |
| | C 408 | QEZ0500-158 | E CAPACITOR | 1500MF | | △ | D 405 | F10KF20 | DIODE | | |
| | C 409 | QTE1H26-226Z | E CAPACITOR | | | △ | D 406 | F10KF20 | DIODE | | |
| | C 410 | QTE1H25-108 | E CAPACITOR | | | △ | D 407 | F10KF20 | DIODE | | |
| | C 411 | QFVF1HJ-104Z | MF CAPACITOR | .10MF 5% 50V | | △ | D 408 | F10KF20 | DIODE | | |
| | C 412 | QTE1V26-476Z | E CAPACITOR | | | △ | D 409 | F10KF20 | DIODE | | |
| | C 413 | QETM1EM-338 | E CAPACITOR | 3300MF 20% 25V | | △ | D 410 | F10KF20 | DIODE | | |
| | C 414 | NCF21CZ-155X | C CAPACITOR | | | △ | D 411 | F10KF20 | DIODE | | |
| | C 415 | QTE1A28-107Z | E CAPACITOR | | | △ | D 412 | F10KF20 | DIODE | | |
| | C 416 | QTE1H26-225Z | E CAPACITOR | | | △ | D 413 | F10KF20 | DIODE | | |
| | C 417 | NCF21CZ-155X | C CAPACITOR | | | △ | D 414 | F10KF20 | DIODE | | |
| | C 418 | NCF21CZ-155X | C CAPACITOR | | | △ | D 415 | F10KF20 | DIODE | | |

■ Electrical parts list (Power amp board) Block No. 01

| △ | Item | Parts number | Parts name | Remarks | Area | △ | Item | Parts number | Parts name | Remarks | Area |
|---|-------|---------------|-----------------|---------|------|---|-------|---------------|----------------|-----------|------|
| △ | D 416 | F10KF20 | DIODE | | | | Q 301 | 2SC4001/L/ | POW TRANSISTOR | | |
| △ | D 417 | 11E2-T2 | DIODE | | | | Q 302 | 2SA1546/L/ | TRANSISTOR | | |
| △ | D 418 | 11E2-T2 | DIODE | | | △ | Q 303 | 2SA1084/E/-T | TRANSISTOR | | |
| | D 419 | 11E2-T2 | DIODE | | | △ | Q 304 | 2SC2545/E/-T | TRANSISTOR | | |
| | D 420 | 11E2-T2 | DIODE | | | | Q 307 | 2SA1546/L/ | TRANSISTOR | | |
| | D 421 | 11E2-T2 | DIODE | | | | Q 308 | 2SC4001/L/ | POW TRANSISTOR | | |
| | D 422 | 11E2-T2 | DIODE | | | | Q 309 | 2SC2240/GL/-T | TRANSISTOR | | |
| △ | D 423 | MTZJ5.1C-T2 | ZENER DIODE | | | | Q 310 | 2SA970/GL-T | TRANSISTOR | | |
| △ | D 424 | 1SS133-T2 | SI DIODE | | | | Q 311 | 2SA1546/L/ | TRANSISTOR | | |
| | D 431 | 11E2-T2 | DIODE | | | | Q 312 | 2SC4001/L/ | POW TRANSISTOR | | |
| | D 432 | 11E2-T2 | DIODE | | | | Q 313 | 2SC2240/GL/-T | TRANSISTOR | | |
| | D 433 | 11E2-T2 | DIODE | | | | Q 314 | 2SA970/GL-T | TRANSISTOR | | |
| | D 434 | 11E2-T2 | DIODE | | | △ | Q 321 | 2SC4001/L/ | POW TRANSISTOR | | |
| | D 451 | 1SS133-T2 | SI DIODE | | | △ | Q 322 | 2SC4001/L/ | POW TRANSISTOR | | |
| | D 452 | 1SS133-T2 | SI DIODE | | | △ | Q 323 | 2SA1546/L/ | TRANSISTOR | | |
| | D 453 | 1SS133-T2 | SI DIODE | | | △ | Q 324 | 2SA1546/L/ | TRANSISTOR | | |
| | D 454 | 1SS133-T2 | SI DIODE | | | △ | Q 325 | 2SC458/D/-T | TRANSISTOR | | |
| | D 471 | 1SS133-T2 | SI DIODE | | | △ | Q 326 | 2SA1029/D/-T | TRANSISTOR | | |
| | D 472 | 1SS133-T2 | SI DIODE | | | △ | Q 327 | 2SC4883A/Y/ | POW TRANSISTOR | | |
| | D 473 | 1SS133-T2 | SI DIODE | | | △ | Q 328 | 2SC4883A/Y/ | POW TRANSISTOR | | |
| | D 474 | 1SS133-T2 | SI DIODE | | | △ | Q 329 | 2SA1859A/Y/ | POW TRANSISTOR | | |
| | D 475 | 1SS133-T2 | SI DIODE | | | △ | Q 330 | 2SA1859A/Y/ | POW TRANSISTOR | | |
| | EP401 | QNZ0136-001Z | EARTH PLATE | | | | Q 351 | DTD123TK-X | D TRANSISTOR | | |
| | FW305 | QUM105-09Z4Z4 | PARA RIBON WIRE | | | | Q 352 | DTD123TK-X | D TRANSISTOR | | |
| | FW306 | QUM105-09Z4Z4 | PARA RIBON WIRE | | | △ | Q 361 | 2SC2240/GL/-T | TRANSISTOR | | |
| | HS401 | LV41985-001A | H SINK | | | △ | Q 362 | 2SA970/GL-T | TRANSISTOR | | |
| | HS402 | LV41985-001A | H SINK | | | | Q 363 | 2SC4001/L/ | POW TRANSISTOR | | |
| | HS403 | LV41985-001A | H SINK | | | △ | Q 381 | 2SB649A/C/ | TRANSISTOR | | |
| | HS405 | LV31898-001A | HEAT SINK | | | △ | Q 382 | 2SD669A/C/ | TRANSISTOR | | |
| | HS406 | LV31898-001A | HEAT SINK | | | | Q 383 | 2SC2546/DE/-T | TRANSISTOR | | |
| △ | IC301 | OPA134PA | IC | | | | Q 384 | 2SA1084/E/-T | TRANSISTOR | | |
| △ | IC302 | VC5022-2 | IC | | | | Q 401 | DTC114YKA-X | D TRANSISTOR | | |
| | IC401 | NJM78M24FA | IC | | | △ | Q 451 | 2SA965/OY/-T | TRANSISTOR | | |
| △ | IC402 | NJM7805FA | IC | | | | Q 452 | DTC114YKA-X | D TRANSISTOR | | |
| | IC403 | NJM7805FA | IC | | | | Q 453 | DTC114YKA-X | D TRANSISTOR | | |
| | IC451 | LM45CIM3-X | IC | | | | Q 454 | 2SA1546/L/ | TRANSISTOR | | |
| | IC452 | LM45CIM3-X | IC | | | | Q 455 | DTA114YKA-X | TRANSISTOR | | |
| △ | IC453 | UPC1237HA | IC | | | | Q 456 | DTA114YKA-X | TRANSISTOR | | |
| | IC454 | NJM2903M-XE | IC | | | | Q 471 | 2SC2878/AB/-T | TRANSISTOR | | |
| | J 103 | QNN0085-001 | PIN JACK | | | | Q 472 | DTA114YKA-X | TRANSISTOR | | |
| | J 104 | QNN0085-001 | PIN JACK | | | △ | R 1 | QRZ9033-3R3 | FUSI RESISTOR | 3.3 1/0W | |
| | J 105 | QNN0085-001 | PIN JACK | | | △ | R 2 | QRZ9033-3R3 | FUSI RESISTOR | 3.3 1/0W | |
| | J 106 | QNN0085-001 | PIN JACK | | | | R 104 | QRV14CF-1502Y | MF RESISTOR | 15 1/4W | |
| | J 107 | QNN0085-001 | PIN JACK | | | | R 105 | QRV14CF-1502Y | MF RESISTOR | 15 1/4W | |
| | J 108 | QNN0085-001 | PIN JACK | | | | R 106 | QRV14CF-1502Y | MF RESISTOR | 15 1/4W | |
| | K 1 | NQR0227-001X | FERRITE CORE | | | | R 107 | QRV14CF-1502Y | MF RESISTOR | 15 1/4W | |
| | K 2 | NQR0227-001X | FERRITE CORE | | | | R 113 | QRV14CF-1502Y | MF RESISTOR | 15 1/4W | |
| | K 3 | NQR0227-001X | FERRITE CORE | | | | R 133 | QRZ0128-471Y | C RESISTOR | 470 1/1W | |
| | K 451 | NQR0227-001X | FERRITE CORE | | | | R 301 | QRZ0129-101Y | C RESISTOR | 100 1/1W | |
| | K 453 | NQR0227-001X | FERRITE CORE | | | | R 302 | QRZ0129-221Y | C RESISTOR | 220 1/1W | |
| | K 455 | NQR0227-001X | FERRITE CORE | | | | R 303 | QRZ0129-392Y | C RESISTOR | 3.9K 1/1W | |
| | K 456 | NQR0227-001X | FERRITE CORE | | | | R 304 | QRZ0129-392Y | C RESISTOR | 3.9K 1/1W | |
| | K 457 | NQR0227-001X | FERRITE CORE | | | △ | R 305 | QRZ9001-221Y | FUSI RESISTOR | 220 1/0W | |
| | K 458 | NQR0227-001X | FERRITE CORE | | | △ | R 306 | QRZ9001-221Y | FUSI RESISTOR | 220 1/0W | |
| | K 459 | NQR0227-001X | FERRITE CORE | | | | R 307 | QRZ0129-101Y | C RESISTOR | 100 1/1W | |
| | K 460 | NQR0227-001X | FERRITE CORE | | | | R 308 | QRZ0129-101Y | C RESISTOR | 100 1/1W | |
| | K 461 | NQR0227-001X | FERRITE CORE | | | | R 309 | QRZ0129-153Y | C RESISTOR | 15K 1/1W | |
| | K 462 | NQR0227-001X | FERRITE CORE | | | | R 311 | QRZ0129-222Y | C RESISTOR | 2.2K 1/1W | |
| | K 463 | NQR0227-001X | FERRITE CORE | | | | R 312 | QRZ0129-222Y | C RESISTOR | 2.2K 1/1W | |
| | K 464 | NQR0227-001X | FERRITE CORE | | | △ | R 313 | QRZ9001-681Y | FUSI RESISTOR | 680 1/0W | |
| | K 465 | NQR0227-001X | FERRITE CORE | | | △ | R 314 | QRZ9001-681Y | FUSI RESISTOR | 680 1/0W | |
| | K 466 | NQR0227-001X | FERRITE CORE | | | △ | R 315 | QRZ9001-471Y | FUSI RESISTOR | 470 1/0W | |
| | L 351 | QQR1043-001 | CHOKE COIL | | | △ | R 316 | QRZ9001-471Y | FUSI RESISTOR | 470 1/0W | |

■ Electrical parts list (Power amp board)

Block No. 01

| △ | Item | Parts number | Parts name | Remarks | Area |
|---|-------|--------------|------------------|-------------|------|
| | R 317 | QRZ0129-473Y | C RESISTOR | 47K 1/1W | |
| | R 318 | QRZ0129-473Y | C RESISTOR | 47K 1/1W | |
| | R 319 | QRV121F-1203 | MF RESISTOR | 12 1/2W | |
| | R 320 | QRV121F-3303 | MF RESISTOR | 33 1/2W | |
| △ | R 321 | QRZ9001-121Y | FUSI RESISTOR | 120 1/0W | |
| △ | R 322 | QRZ9001-121Y | FUSI RESISTOR | 120 1/0W | |
| △ | R 323 | QRZ9001-121Y | FUSI RESISTOR | 120 1/0W | |
| △ | R 324 | QRZ9001-121Y | FUSI RESISTOR | 120 1/0W | |
| | R 325 | QRZ0129-182Y | C RESISTOR | 1.8K 1/1W | |
| | R 326 | QRZ0129-182Y | C RESISTOR | 1.8K 1/1W | |
| | R 327 | QRZ0129-621Y | C RESISTOR | 620 1/1W | |
| | R 328 | QRZ0129-621Y | C RESISTOR | 620 1/1W | |
| △ | R 329 | QRZ9001-331Y | FUSI RESISTOR | 330 1/0W | |
| △ | R 330 | QRZ9001-331Y | FUSI RESISTOR | 330 1/0W | |
| △ | R 331 | QRZ9001-221Y | FUSI RESISTOR | 220 1/0W | |
| △ | R 332 | QRZ9001-121Y | FUSI RESISTOR | 120 1/0W | |
| △ | R 333 | QRZ9001-121Y | FUSI RESISTOR | 120 1/0W | |
| △ | R 334 | QRZ9001-221Y | FUSI RESISTOR | 220 1/0W | |
| △ | R 335 | QRZ9016-3R3Y | FUSI RESISTOR | 3.3 1/0W | |
| △ | R 336 | QRZ9016-3R3Y | FUSI RESISTOR | 3.3 1/0W | |
| △ | R 337 | QRZ9016-3R3Y | FUSI RESISTOR | 3.3 1/0W | |
| △ | R 338 | QRZ9016-3R3Y | FUSI RESISTOR | 3.3 1/0W | |
| △ | R 343 | QRZ9016-2R2Y | FUSI RESISTOR | 2.2 1/0W | |
| △ | R 344 | QRZ9016-2R2Y | FUSI RESISTOR | 2.2 1/0W | |
| △ | R 345 | QRZ9016-2R2Y | FUSI RESISTOR | 2.2 1/0W | |
| △ | R 346 | QRZ9016-2R2Y | FUSI RESISTOR | 2.2 1/0W | |
| △ | R 347 | QRZ9016-2R2Y | FUSI RESISTOR | 2.2 1/0W | |
| △ | R 348 | QRZ9016-2R2Y | FUSI RESISTOR | 2.2 1/0W | |
| | R 349 | QRZ0166-R22 | EMIT RESISTOR | 1/1W | |
| | R 350 | QRZ0166-R22 | EMIT RESISTOR | 1/1W | |
| | R 351 | QRZ0166-R22 | EMIT RESISTOR | 1/1W | |
| | R 352 | QRZ0166-R22 | EMIT RESISTOR | 1/1W | |
| | R 353 | QRZ0166-R22 | EMIT RESISTOR | 1/1W | |
| | R 354 | QRZ0166-R22 | EMIT RESISTOR | 1/1W | |
| | R 356 | QRT027J-6R8 | MF RESISTOR | 6.8 5% 1/2W | |
| | R 357 | QRL027J-100 | UNF OMF RESISTOR | 10 5% 1/2W | |
| | R 358 | QRL027J-100 | UNF OMF RESISTOR | 10 5% 1/2W | |
| | R 359 | QRL027J-100 | UNF OMF RESISTOR | 10 5% 1/2W | |
| | R 361 | QRZ0129-751Y | C RESISTOR | 750 1/1W | |
| | R 362 | QRZ0129-751Y | C RESISTOR | 750 1/1W | |
| | R 363 | QRZ0129-100Y | C RESISTOR | 10 1/1W | |
| | R 364 | QRZ0129-100Y | C RESISTOR | 10 1/1W | |
| | R 365 | QRZ0129-100Y | C RESISTOR | 10 1/1W | |
| | R 366 | QRZ0129-100Y | C RESISTOR | 10 1/1W | |
| | R 367 | QRZ0129-100Y | C RESISTOR | 10 1/1W | |
| | R 368 | QRZ0129-100Y | C RESISTOR | 10 1/1W | |
| | R 369 | QRZ0129-221Y | C RESISTOR | 220 1/1W | |
| | R 370 | QRZ0129-221Y | C RESISTOR | 220 1/1W | |
| | R 371 | QRZ0129-201Y | C RESISTOR | 200 1/1W | |
| | R 372 | QRZ0129-201Y | C RESISTOR | 200 1/1W | |
| | R 373 | QAD0010-351 | THERMISTOR | | |
| | R 374 | QAD0010-351 | THERMISTOR | | |
| | R 375 | QRZ0129-272Y | C RESISTOR | 2.7K 1/1W | |
| | R 376 | QRZ0129-153Y | C RESISTOR | 15K 1/1W | |
| | R 377 | NRSA02J-223X | MG RESISTOR | | |
| | R 379 | QRZ0129-222Y | C RESISTOR | 2.2K 1/1W | |
| | R 380 | QRZ0129-222Y | C RESISTOR | 2.2K 1/1W | |
| △ | R 381 | QRZ9016-2R2Y | FUSI RESISTOR | 2.2 1/0W | |
| △ | R 382 | QRZ9016-2R2Y | FUSI RESISTOR | 2.2 1/0W | |
| | R 383 | QRV121F-2202 | MF RESISTOR | 22 1/2W | |
| | R 384 | QRV121F-2202 | MF RESISTOR | 22 1/2W | |
| | R 385 | QRZ0129-221Y | C RESISTOR | 220 1/1W | |
| | R 386 | QRZ0129-221Y | C RESISTOR | 220 1/1W | |

| △ | Item | Parts number | Parts name | Remarks | Area |
|---|-------|--------------|-----------------|-----------|------|
| | R 387 | QRZ0129-221Y | C RESISTOR | 220 1/1W | |
| | R 388 | QRZ0129-221Y | C RESISTOR | 220 1/1W | |
| | R 389 | QRZ0129-821Y | C RESISTOR | 820 1/1W | |
| | R 390 | QRZ0129-821Y | C RESISTOR | 820 1/1W | |
| | R 391 | QRZ0129-220Y | C RESISTOR | 22 1/1W | |
| | R 392 | QRZ0129-220Y | C RESISTOR | 22 1/1W | |
| | R 393 | QRZ0129-222Y | C RESISTOR | 2.2K 1/1W | |
| | R 394 | QRZ0129-222Y | C RESISTOR | 2.2K 1/1W | |
| | R 395 | QRZ0129-681Y | C RESISTOR | 680 1/1W | |
| | R 396 | QRZ0129-181Y | C RESISTOR | 180 1/1W | |
| | R 397 | QRZ0129-151Y | C RESISTOR | 150 1/1W | |
| | R 398 | QVPC402-471 | TRIM RESISTOR | | |
| | R 399 | QAD0010-351 | THERMISTOR | | |
| | R 400 | QRV121F-1203 | MF RESISTOR | 12 1/2W | |
| | R 401 | QRZ0129-183Y | C RESISTOR | 18K 1/1W | |
| | R 402 | QRZ0129-392Y | C RESISTOR | 3.9K 1/1W | |
| | R 403 | NRSA02J-682X | MG RESISTOR | | |
| △ | R 431 | QRZ9001-150Y | FUSI RESISTOR | 15 1/0W | |
| △ | R 432 | QRZ9001-150Y | FUSI RESISTOR | 15 1/0W | |
| | R 451 | NRSA02J-224X | MG RESISTOR | | |
| | R 452 | NRSA02J-822X | MG RESISTOR | | |
| | R 453 | NRSA02J-273X | MG RESISTOR | | |
| | R 454 | NRSA02J-103X | MG RESISTOR | | |
| | R 455 | NRSA02J-103X | MG RESISTOR | | |
| | R 456 | NRSA02J-102X | MG RESISTOR | | |
| | R 457 | NRSA02J-682X | MG RESISTOR | | |
| | R 458 | NRSA02J-332X | MG RESISTOR | | |
| | R 459 | NRSA02J-103X | MG RESISTOR | | |
| | R 460 | NRSA02J-683X | MG RESISTOR | | |
| | R 461 | NRSA02J-104X | MG RESISTOR | | |
| | R 462 | NRSA02J-104X | MG RESISTOR | | |
| | R 463 | NRSA02J-102X | MG RESISTOR | | |
| | R 464 | NRSA02J-105X | MG RESISTOR | | |
| | R 465 | NRSA02J-102X | MG RESISTOR | | |
| | R 466 | NRSA02J-822X | MG RESISTOR | | |
| | R 467 | NRSA02J-102X | MG RESISTOR | | |
| | R 468 | NRSA02J-105X | MG RESISTOR | | |
| | R 469 | NRSA02J-103X | MG RESISTOR | | |
| | R 470 | NRSA02J-103X | MG RESISTOR | | |
| | R 471 | NRSA02J-273X | MG RESISTOR | | |
| | R 472 | NRSA02J-104X | MG RESISTOR | | |
| | R 500 | QRV121F-2702 | MF RESISTOR | 27 1/2W | |
| | R 600 | QRV121F-4701 | MF RESISTOR | 47 1/2W | |
| △ | RY 1 | QSK0114-001 | RELAY | | |
| △ | RY 2 | QSK0114-001 | RELAY | | |
| | RY103 | QSK0105-001 | RELAY | | |
| | RY104 | QSK0105-001 | RELAY | | |
| | RY105 | QSK0105-001 | RELAY | | |
| | RY106 | QSK0105-001 | RELAY | | |
| | RY351 | QSK0042-001 | RELAY | | |
| | RY352 | QSK0042-001 | RELAY | | |
| | RY500 | QSK0112-001 | RELAY | | |
| | RY600 | QSK0112-001 | RELAY | | |
| | TB 22 | QNZ0079-001Z | TAB | | |
| | TB 31 | QNZ0079-001Z | TAB | | |
| | TB 32 | QNZ0079-001Z | TAB | | |
| | TB401 | QNZ0446-001 | TAB | | |
| | TB402 | QNZ0446-001 | TAB | | |
| | TB403 | QNZ0446-001 | TAB | | |
| | TB404 | QNZ0446-001 | TAB | | |
| | WR 1 | WJA0017-001A | E-S ID WIRE C-B | | |
| | WR451 | WJA0018-001A | E-S ID WIRE C-B | | |
| | WR452 | WJA0019-001A | E-S ID WIRE C-B | | |
| | Z 1 | QNG0020-001Z | FUSE CLIP | | |
| | Z 2 | QNG0020-001Z | FUSE CLIP | | |

■ Electrical parts list (Signal control board) Block No. 02

| △ | Item | Parts number | Parts name | Remarks | Area | △ | Item | Parts number | Parts name | Remarks | Area |
|---|-------|--------------|----------------|----------------|------|---|-------|--------------|---------------|----------------|------|
| | C 101 | QCS31HJ-101Z | C CAPACITOR | 100PF 5% 50V | | | C 284 | NCS21HJ-101X | C CAPACITOR | | |
| | C 102 | QCS31HJ-101Z | C CAPACITOR | 100PF 5% 50V | | | C 285 | NCS21HJ-101X | C CAPACITOR | | |
| | C 109 | QTE1E06-226Z | E CAPACITOR | | | | C 286 | NCS21HJ-101X | C CAPACITOR | | |
| | C 110 | QFZ0160-330Z | PP CAPACITOR | 33PF | | | C 287 | NCS21HJ-101X | C CAPACITOR | | |
| | C 111 | QCS31HJ-101Z | C CAPACITOR | 100PF 5% 50V | | | C 288 | NCS21HJ-101X | C CAPACITOR | | |
| | C 112 | QCS31HJ-101Z | C CAPACITOR | 100PF 5% 50V | | | C 289 | NCS21HJ-101X | C CAPACITOR | | |
| | C 121 | NCF21CZ-155X | C CAPACITOR | | | | C 290 | NCS21HJ-101X | C CAPACITOR | | |
| | C 122 | NCF21CZ-155X | C CAPACITOR | | | | C 291 | QTE1E06-226Z | E CAPACITOR | | |
| | C 127 | NCF21CZ-155X | C CAPACITOR | | | | C 295 | NCS21HJ-101X | C CAPACITOR | | |
| | C 128 | NCF21CZ-155X | C CAPACITOR | | | | C 296 | NCS21HJ-101X | C CAPACITOR | | |
| | C 129 | NCF21CZ-155X | C CAPACITOR | | | | C 297 | NCS21HJ-101X | C CAPACITOR | | |
| | C 130 | NCF21CZ-155X | C CAPACITOR | | | | C 300 | NCF21CZ-155X | C CAPACITOR | | |
| | C 132 | NCF21CZ-155X | C CAPACITOR | | | | C 501 | NCF21CZ-155X | C CAPACITOR | | |
| | C 141 | QTMN1HM-106Z | E CAPACITOR | | | | C 502 | NCF21CZ-155X | C CAPACITOR | | |
| | C 142 | QTMN1HM-106Z | E CAPACITOR | | | | C 503 | NCF21CZ-155X | C CAPACITOR | | |
| | C 143 | QFFA2AK-330 | MICA CAPACITOR | 33PF 10% 100V | | | C 504 | NCF21CZ-155X | C CAPACITOR | | |
| | C 144 | QFFA2AK-330 | MICA CAPACITOR | 33PF 10% 100V | | | C 505 | NCF21CZ-155X | C CAPACITOR | | |
| | C 145 | QTMN1HM-106Z | E CAPACITOR | | | | C 506 | NCF21CZ-155X | C CAPACITOR | | |
| | C 146 | QTMN1HM-106Z | E CAPACITOR | | | | C 507 | NCF21CZ-155X | C CAPACITOR | | |
| | C 151 | NCF21CZ-155X | C CAPACITOR | | | | C 508 | NCF21CZ-155X | C CAPACITOR | | |
| | C 152 | NCF21CZ-155X | C CAPACITOR | | | | C 509 | NCF21CZ-155X | C CAPACITOR | | |
| | C 153 | QTE1E26-106Z | E CAPACITOR | | | | C 511 | NCB21HK-103X | C CAPACITOR | | |
| | C 154 | QTE1E26-106Z | E CAPACITOR | | | | C 512 | QER60JM-107Z | E CAPACITOR | 100MF 20% 6.3V | |
| | C 155 | QTE1E26-476Z | E CAPACITOR | | | | C 513 | NCF21CZ-155X | C CAPACITOR | | |
| | C 156 | QTE1E26-476Z | E CAPACITOR | | | | C 514 | NCF21CZ-155X | C CAPACITOR | | |
| | C 157 | QTE1E26-476Z | E CAPACITOR | | | | C 515 | NCF21CZ-155X | C CAPACITOR | | |
| | C 158 | QTE1E26-476Z | E CAPACITOR | | | | C 516 | NCF21CZ-155X | C CAPACITOR | | |
| | C 159 | QTE1E26-106Z | E CAPACITOR | | | | C 517 | NCF21CZ-155X | C CAPACITOR | | |
| | C 160 | QTE1E26-106Z | E CAPACITOR | | | | C 518 | NCF21CZ-155X | C CAPACITOR | | |
| | C 201 | QFN31HJ-122Z | M CAPACITOR | 1200PF 5% 50V | | | C 519 | NCF21CZ-155X | C CAPACITOR | | |
| | C 202 | QFN31HJ-122Z | M CAPACITOR | 1200PF 5% 50V | | | C 521 | NCF21CZ-155X | C CAPACITOR | | |
| | C 203 | QFN31HJ-122Z | M CAPACITOR | 1200PF 5% 50V | | | C 522 | NCF21CZ-155X | C CAPACITOR | | |
| | C 204 | QFN31HJ-122Z | M CAPACITOR | 1200PF 5% 50V | | | C 523 | NCF21CZ-155X | C CAPACITOR | | |
| | C 221 | QFZ0160-392Z | PP CAPACITOR | 3900PF | | | C 524 | NCF21CZ-155X | C CAPACITOR | | |
| | C 222 | QFZ0160-392Z | PP CAPACITOR | 3900PF | | | C 525 | NCF21CZ-155X | C CAPACITOR | | |
| | C 223 | QFZ0160-392Z | PP CAPACITOR | 3900PF | | | C 526 | NCF21CZ-155X | C CAPACITOR | | |
| | C 224 | QFZ0160-392Z | PP CAPACITOR | 3900PF | | | C 527 | NCF21CZ-155X | C CAPACITOR | | |
| | C 225 | QTMN1HM-336Z | E CAPACITOR | | | | C 528 | NCF21CZ-155X | C CAPACITOR | | |
| | C 226 | QTMN1HM-336Z | E CAPACITOR | | | | C 531 | NCF21CZ-155X | C CAPACITOR | | |
| | C 241 | QFKA2AK-105 | CAPACITOR | 1.0MF 10% 100V | | | C 532 | NCF21CZ-155X | C CAPACITOR | | |
| | C 246 | NCS21HJ-101X | C CAPACITOR | | | | C 533 | NCF21CZ-155X | C CAPACITOR | | |
| | C 247 | NCS21HJ-101X | C CAPACITOR | | | | C 534 | QER60JM-107Z | E CAPACITOR | 100MF 20% 6.3V | |
| | C 248 | NCS21HJ-101X | C CAPACITOR | | | | C 535 | NCF21CZ-155X | C CAPACITOR | | |
| | C 251 | QTML1HM-108 | E CAPACITOR | | | | C 536 | NCF21CZ-155X | C CAPACITOR | | |
| | C 252 | QTML1HM-108 | E CAPACITOR | | | | C 537 | NCF21CZ-155X | C CAPACITOR | | |
| | C 253 | QFZ0158-223 | PP CAPACITOR | .022MF | | | C 538 | NCF21CZ-155X | C CAPACITOR | | |
| | C 254 | QFZ0158-223 | PP CAPACITOR | .022MF | | | C 539 | NCF21CZ-155X | C CAPACITOR | | |
| | C 255 | QTMN1HM-106Z | E CAPACITOR | | | | C 541 | NCF21CZ-155X | C CAPACITOR | | |
| | C 256 | QTMN1HM-106Z | E CAPACITOR | | | | C 542 | NCF21CZ-155X | C CAPACITOR | | |
| | C 257 | QTML1HM-108 | E CAPACITOR | | | | C 543 | NCF21CZ-155X | C CAPACITOR | | |
| | C 258 | QTML1HM-108 | E CAPACITOR | | | | C 544 | NCF21CZ-155X | C CAPACITOR | | |
| | C 259 | QTMN1EM-227Z | E CAPACITOR | | | | C 571 | NCF21CZ-155X | C CAPACITOR | | |
| | C 260 | QTMN1EM-227Z | E CAPACITOR | | | | C 572 | QETN0JM-477Z | E CAPACITOR | 470MF 20% 6.3V | |
| | C 261 | QTMN1HM-106Z | E CAPACITOR | | | | C 573 | QETN0JM-477Z | E CAPACITOR | 470MF 20% 6.3V | |
| | C 262 | QTMN1HM-106Z | E CAPACITOR | | | | C 574 | QEZ0246-479Z | EDL CAPACITOR | 47000MF | |
| | C 263 | QTMN1HM-106Z | E CAPACITOR | | | | C 575 | QETN0JM-477Z | E CAPACITOR | 470MF 20% 6.3V | |
| | C 264 | QTMN1HM-106Z | E CAPACITOR | | | | C 576 | QETN1HM-105Z | E CAPACITOR | 1.0MF 20% 50V | |
| | C 265 | QFVF1HJ-104Z | MF CAPACITOR | .10MF 5% 50V | | | C 578 | QETN1HM-225Z | E CAPACITOR | 2.2MF 20% 50V | |
| | C 266 | QFVF1HJ-104Z | MF CAPACITOR | .10MF 5% 50V | | | C 579 | NCB21HK-103X | C CAPACITOR | | |
| | C 271 | NCF21CZ-155X | C CAPACITOR | | | | C 580 | NCB21HK-103X | C CAPACITOR | | |
| | C 281 | QTE1H26-106Z | E CAPACITOR | | | | C 581 | QETN1HM-105Z | E CAPACITOR | 1.0MF 20% 50V | |
| | C 282 | QTE1H26-475Z | E CAPACITOR | | | | C 591 | QETN1AM-107Z | E CAPACITOR | 100MF 20% 10V | |
| | C 283 | NCS21HJ-101X | C CAPACITOR | | | | C 592 | NCF21CZ-155X | C CAPACITOR | | |

■ Electrical parts list (Signal control board) Block No. 02

| △ | Item | Parts number | Parts name | Remarks | Area | △ | Item | Parts number | Parts name | Remarks | Area |
|---|-------|--------------|-----------------|--------------|------|---|-------|----------------|-----------------|---------|------|
| | C 593 | NCF21CZ-155X | C CAPACITOR | | | | D 509 | SLR-342MC-T | LED | | |
| | C 594 | NCS21HJ-331X | C CAPACITOR | | | | D 521 | SLR-342MC-T | LED | | |
| | C 595 | NCS21HJ-331X | C CAPACITOR | | | | D 522 | SLR-342DC-T | LED | | |
| | C 596 | NCS21HJ-331X | C CAPACITOR | | | | D 523 | SLR-342DC-T | LED | | |
| | C 597 | NCS21HJ-331X | C CAPACITOR | | | | D 524 | SLR-342DC-T | LED | | |
| | C 598 | QFVF1HJ-474Z | MF CAPACITOR | .47MF 5% 50V | | | D 525 | SLR-342DC-T | LED | | |
| | C 599 | NCS21HJ-331X | C CAPACITOR | | | | D 526 | SLR-342DC-T | LED | | |
| | C 600 | NCS21HJ-101X | C CAPACITOR | | | | D 527 | SLR-342DC-T | LED | | |
| | C 601 | NCS21HJ-101X | C CAPACITOR | | | | D 528 | SLR-342VC-T | LED | | |
| | C 602 | NCS21HJ-101X | C CAPACITOR | | | | D 531 | 1SS133-T2 | SI DIODE | | |
| | C 603 | NCS21HJ-101X | C CAPACITOR | | | | D 532 | 1SS133-T2 | SI DIODE | | |
| | C 604 | NCS21HJ-391X | C CAPACITOR | | | | D 533 | 1SS133-T2 | SI DIODE | | |
| | CN251 | QGA3903C1-03 | PLUG ASSY | | | | D 534 | 1SS133-T2 | SI DIODE | | |
| | CN252 | QGA3903C1-03 | PLUG ASSY | | | | D 535 | 1SS133-T2 | SI DIODE | | |
| | CN501 | WJA0008-001A | E-S ID WIRE C-B | | | | D 536 | 1SS133-T2 | SI DIODE | | |
| | CN502 | WJA0009-001A | E-S ID WIRE C-B | | | | D 537 | 1SS133-T2 | SI DIODE | | |
| | CN511 | WJA0010-001A | E-S ID WIRE C-B | | | | D 538 | 1SS133-T2 | SI DIODE | | |
| | CN512 | WJA0011-001A | E-S ID WIRE C-B | | | | D 539 | 1SS133-T2 | SI DIODE | | |
| | CN513 | WJA0012-001A | E-S ID WIRE C-B | | | | D 540 | 1SS133-T2 | SI DIODE | | |
| | CN601 | QGA2001C1-10 | 10P PLUG ASSY | | | | D 541 | 1SS133-T2 | SI DIODE | | |
| | CN602 | QGA2001C1-12 | 12P PLUG ASSY | | | | D 543 | 1SS133-T2 | SI DIODE | | |
| | CN603 | QGA2001C1-10 | 10P PLUG ASSY | | | | D 551 | 1SS119-02-T2 | SI DIODE | | |
| | CN604 | QGA2001C1-08 | 8P PLUG ASSY | | | | D 552 | 11E2-T5 | DIODE | | |
| | CN605 | QGA2001C1-07 | 7P PLUG ASSY | | | | D 553 | 1SS133-T2 | SI DIODE | | |
| | CN611 | QGA2001C1-13 | 13P PLUG ASSY | | | | D 556 | 1SS133-T2 | SI DIODE | | |
| | CN612 | QGA2001C1-07 | 7P PLUG ASSY | | | | D 557 | 1SS133-T2 | SI DIODE | | |
| | CN613 | QGA2001C1-08 | 8P PLUG ASSY | | | | D 558 | 1SS133-T2 | SI DIODE | | |
| | CN614 | QGA2001C1-03 | 3P PLUG ASSY | | | | D 559 | 1SS133-T2 | SI DIODE | | |
| | CN615 | QGA2001C1-12 | 12P PLUG ASSY | | | | D 560 | 1SS133-T2 | SI DIODE | | |
| | CN616 | QGA2001C1-08 | 8P PLUG ASSY | | | | EP501 | QNZ0136-001Z | EARTH PLATE | | |
| △ | CP251 | ICP-N10-T | ICP | | | | IC108 | OPA134PA | IC | | |
| △ | CP252 | ICP-N10-T | ICP | | | | IC141 | LM6172IN | IC | | |
| △ | CP257 | ICP-N10-T | ICP | | | | IC151 | CS3310-KP | IC | | |
| △ | CP258 | ICP-N10-T | ICP | | | | IC152 | NJM5532M-D-W | IC | | |
| | D 201 | 1SS133-T2 | SI DIODE | | | | IC153 | NJM5532M-D-W | IC | | |
| | D 202 | 1SS133-T2 | SI DIODE | | | | IC201 | OPA134PA | IC | | |
| | D 203 | 1SS133-T2 | SI DIODE | | | | IC251 | NJM7805FA | IC | | |
| | D 204 | 1SS133-T2 | SI DIODE | | | | IC252 | NJM7905FA | IC | | |
| | D 205 | 1SS133-T2 | SI DIODE | | | | IC253 | NJM7805FA | IC | | |
| | D 206 | 1SS133-T2 | SI DIODE | | | | IC254 | NJM7905FA | IC | | |
| | D 207 | 1SS133-T2 | SI DIODE | | | | IC255 | NJM7815FA | IC | | |
| | D 208 | 1SS133-T2 | SI DIODE | | | △ | IC256 | NJM7915FA | IC | | |
| △ | D 251 | 11DF2-FA11 | DIODE | | | | IC261 | PC817CD | IC(PHOTO COUPLE | | |
| △ | D 252 | 11DF2-FA11 | DIODE | | | | IC262 | PC817CD | IC(PHOTO COUPLE | | |
| △ | D 253 | 11DF2-FA11 | DIODE | | | | IC263 | PC817CD | IC(PHOTO COUPLE | | |
| △ | D 254 | 11DF2-FA11 | DIODE | | | | IC264 | TC74HC04AF-W | IC | | |
| △ | D 255 | 11DF2-FA11 | DIODE | | | | IC281 | TC74VHC08F-X | IC | | |
| △ | D 256 | 11DF2-FA11 | DIODE | | | | IC511 | GP1U561 | IR DETECT UNIT | | |
| △ | D 257 | 11DF2-FA11 | DIODE | | | | IC521 | MN101CP10A | IC | | |
| △ | D 258 | 11DF2-FA11 | DIODE | | | | IC522 | TC74HC373AF-X | IC | | |
| △ | D 259 | HZ30-1L-T2 | Z DIODE | | | | IC523 | TC74HC373AF-X | IC | | |
| △ | D 260 | HZ30-1L-T2 | Z DIODE | | | | IC524 | TC74HC373AF-X | IC | | |
| | D 281 | MTZJ5.1C-T2 | Z DIODE | | | | IC525 | TC74HC238AF-X | IC | | |
| | D 282 | 1SS133-T2 | SI DIODE | | | | IC526 | TC7S08F-W | IC | | |
| | D 286 | 1SS133-T2 | SI DIODE | | | | IC527 | TC7S08F-W | IC | | |
| | D 501 | SLR-342MC-T | LED | | | | IC528 | TC7S08F-W | IC | | |
| | D 502 | SLR-342DC-T | LED | | | | IC531 | TC74HC27AF-W | IC | | |
| | D 503 | SLR-342MC-T | LED | | | | IC532 | TC74VHC123AF-X | IC | | |
| | D 504 | SLR-342VC-T | LED | | | | IC541 | LB-403VD | LB-403VD | | |
| | D 505 | SLR-342MC-T | LED | | | | IC542 | BU2114F-X | BU2114F | | |
| | D 506 | SLR-342MC-T | LED | | | | IC543 | BU2114F-X | BU2114F | | |
| | D 507 | SELU2E10C | LED | | | | IC544 | BU2114F-X | BU2114F | | |
| | D 508 | SELU2E10C | LED | | | | IH501 | VYH7653-003 | IC HOLDER | | |

■ Electrical parts list (Signal control board) Block No. 02

| △ | Item | Parts number | Parts name | Remarks | Area | △ | Item | Parts number | Parts name | Remarks | Area |
|---|-------|--------------|----------------|---------|------|---|-------|-----------------|--------------|-----------|------|
| | J 101 | QNZ0204-001 | CIR CONNECTOR | | | | Q 230 | 2SA1084/E/-T | TRANSISTOR | | |
| | J 102 | QNZ0204-001 | CIR CONNECTOR | | | | Q 251 | 2SB649A/C/ | TRANSISTOR | | |
| | J 271 | QNZ0444-001 | MODU CONNECTOR | | | | Q 252 | 2SD669A/C/ | TRANSISTOR | | |
| | K 251 | NQR0227-001X | FERRITE CORE | | | | Q 253 | 2SC2545/E/-T | TRANSISTOR | | |
| | K 252 | NQR0227-001X | FERRITE CORE | | | | Q 254 | 2SA1084/E/-T | TRANSISTOR | | |
| | K 253 | NQR0227-001X | FERRITE CORE | | | | Q 255 | DTA114YKA-X | TRANSISTOR | | |
| | K 254 | NQR0227-001X | FERRITE CORE | | | | Q 256 | DTC114YKA-X | D TRANSISTOR | | |
| | K 255 | NQR0227-001X | FERRITE CORE | | | | Q 257 | DTA114YKA-X | TRANSISTOR | | |
| | K 256 | NQR0227-001X | FERRITE CORE | | | | Q 258 | DTC114YKA-X | D TRANSISTOR | | |
| | K 257 | NQR0227-001X | FERRITE CORE | | | | Q 259 | 2SA1037AK/RS/-X | TRANSISTOR | | |
| | K 258 | NQR0227-001X | FERRITE CORE | | | | Q 261 | DTC114YKA-X | D TRANSISTOR | | |
| | K 259 | NQR0227-001X | FERRITE CORE | | | | Q 273 | 2SC2878/AB/-T | TRANSISTOR | | |
| | K 260 | NQR0227-001X | FERRITE CORE | | | | Q 281 | 2SC2240/GL/-T | TRANSISTOR | | |
| | K 261 | NQR0227-001X | FERRITE CORE | | | | Q 286 | DTA114YKA-X | TRANSISTOR | | |
| | K 262 | NQR0227-001X | FERRITE CORE | | | | Q 287 | DTC114YKA-X | D TRANSISTOR | | |
| | K 263 | NQR0227-001X | FERRITE CORE | | | | Q 504 | DTD123TK-X | D TRANSISTOR | | |
| | K 264 | NQR0227-001X | FERRITE CORE | | | | Q 505 | DTD123TK-X | D TRANSISTOR | | |
| | K 265 | NQR0227-001X | FERRITE CORE | | | | Q 506 | DTD123TK-X | D TRANSISTOR | | |
| | K 266 | NQR0227-001X | FERRITE CORE | | | | Q 507 | DTD123TK-X | D TRANSISTOR | | |
| | K 267 | NQR0227-001X | FERRITE CORE | | | | Q 508 | DTD123TK-X | D TRANSISTOR | | |
| | K 268 | NQR0227-001X | FERRITE CORE | | | | Q 511 | DTD123TK-X | D TRANSISTOR | | |
| | K 271 | NQR0227-001X | FERRITE CORE | | | | Q 512 | DTD123TK-X | D TRANSISTOR | | |
| | K 272 | NQR0227-001X | FERRITE CORE | | | | Q 513 | DTD123TK-X | D TRANSISTOR | | |
| | K 273 | NQR0227-001X | FERRITE CORE | | | | Q 514 | DTD123TK-X | D TRANSISTOR | | |
| | K 281 | NQR0227-001X | FERRITE CORE | | | | Q 515 | DTD123TK-X | D TRANSISTOR | | |
| | K 282 | NQR0227-001X | FERRITE CORE | | | | Q 516 | DTD123TK-X | D TRANSISTOR | | |
| | K 283 | NQR0227-001X | FERRITE CORE | | | | Q 517 | DTD123TK-X | D TRANSISTOR | | |
| | K 284 | NQR0227-001X | FERRITE CORE | | | | Q 518 | DTD123TK-X | D TRANSISTOR | | |
| | K 285 | NQR0227-001X | FERRITE CORE | | | | Q 519 | DTD123TK-X | D TRANSISTOR | | |
| | K 286 | NQR0227-001X | FERRITE CORE | | | | Q 524 | DTC114YKA-X | D TRANSISTOR | | |
| | K 287 | NQR0227-001X | FERRITE CORE | | | | Q 525 | DTC114YKA-X | D TRANSISTOR | | |
| | K 288 | NQR0227-001X | FERRITE CORE | | | | Q 526 | DTA114YKA-X | TRANSISTOR | | |
| | K 289 | NQR0227-001X | FERRITE CORE | | | | Q 527 | DTB113ZK-X | D TRANSISTOR | | |
| | K 290 | NQR0227-001X | FERRITE CORE | | | | Q 528 | DTC114YKA-X | D TRANSISTOR | | |
| | K 291 | NQR0227-001X | FERRITE CORE | | | | Q 591 | DTC114YKA-X | D TRANSISTOR | | |
| | K 292 | NQR0227-001X | FERRITE CORE | | | | Q 592 | DTC114YKA-X | D TRANSISTOR | | |
| | K 501 | NQR0227-001X | FERRITE CORE | | | | Q 593 | DTB143EK-X | D TRANSISTOR | | |
| | K 502 | NQR0227-001X | FERRITE CORE | | | | Q 594 | DTB143EK-X | D TRANSISTOR | | |
| | K 503 | NQR0227-001X | FERRITE CORE | | | | R 101 | QRV14CF-1502Y | MF RESISTOR | 15 1/4W | |
| | K 504 | NQR0227-001X | FERRITE CORE | | | | R 102 | QRV14CF-1502Y | MF RESISTOR | 15 1/4W | |
| | K 505 | NQR0227-001X | FERRITE CORE | | | | R 111 | QRV14CF-1502Y | MF RESISTOR | 15 1/4W | |
| | K 506 | NQR0227-001X | FERRITE CORE | | | | R 112 | QRV14CF-1502Y | MF RESISTOR | 15 1/4W | |
| | K 507 | NQR0227-001X | FERRITE CORE | | | | R 125 | QRV14CF-3901Y | MF RESISTOR | 39 1/4W | |
| | K 508 | NQR0227-001X | FERRITE CORE | | | | R 126 | QRV14CF-3901Y | MF RESISTOR | 39 1/4W | |
| | L 101 | QQL121K-2R2Y | INDUCTOR | | | | R 127 | QRV14CF-1202Y | MF RESISTOR | 12 1/4W | |
| | L 102 | QQL121K-2R2Y | INDUCTOR | | | | R 128 | QRV14CF-1202Y | MF RESISTOR | 12 1/4W | |
| | Q 201 | 2SC2545/E/-T | TRANSISTOR | | | | R 129 | QRV14CF-1502Y | MF RESISTOR | 15 1/4W | |
| | Q 202 | 2SA1084/E/-T | TRANSISTOR | | | | R 130 | QRV14CF-1502Y | MF RESISTOR | 15 1/4W | |
| | Q 203 | 2SA1084/E/-T | TRANSISTOR | | | | R 131 | QRZ0129-104Y | C RESISTOR | 100K 1/1W | |
| | Q 204 | 2SC2545/E/-T | TRANSISTOR | | | | R 132 | QRZ0128-471Y | C RESISTOR | 470 1/1W | |
| | Q 205 | 2SA1084/E/-T | TRANSISTOR | | | | R 141 | QRV14CF-3303Y | MF RESISTOR | 33 1/4W | |
| | Q 206 | 2SC2545/E/-T | TRANSISTOR | | | | R 142 | QRV14CF-3303Y | MF RESISTOR | 33 1/4W | |
| | Q 207 | 2SC2545/E/-T | TRANSISTOR | | | | R 143 | QRV14CF-3901Y | MF RESISTOR | 39 1/4W | |
| | Q 208 | 2SA1084/E/-T | TRANSISTOR | | | | R 144 | QRV14CF-3901Y | MF RESISTOR | 39 1/4W | |
| | Q 221 | 2SC2545/E/-T | TRANSISTOR | | | | R 145 | QRV14CF-1202Y | MF RESISTOR | 12 1/4W | |
| | Q 222 | 2SA1084/E/-T | TRANSISTOR | | | | R 146 | QRV14CF-1202Y | MF RESISTOR | 12 1/4W | |
| | Q 223 | 2SC2545/E/-T | TRANSISTOR | | | | R 147 | QRZ0129-101Y | C RESISTOR | 100 1/1W | |
| | Q 224 | 2SA1084/E/-T | TRANSISTOR | | | | R 148 | QRZ0129-101Y | C RESISTOR | 100 1/1W | |
| | Q 225 | 2SA1084/E/-T | TRANSISTOR | | | | R 151 | QRA14CF-2200Y | MF RESISTOR | 22 1/4W | |
| | Q 226 | 2SC2545/E/-T | TRANSISTOR | | | | R 152 | QRA14CF-1500Y | MF RESISTOR | 15 1/4W | |
| | Q 227 | 2SA1084/E/-T | TRANSISTOR | | | | R 153 | QRA14CF-2200Y | MF RESISTOR | 22 1/4W | |
| | Q 228 | 2SC2545/E/-T | TRANSISTOR | | | | R 154 | QRA14CF-1500Y | MF RESISTOR | 15 1/4W | |
| | Q 229 | 2SC2545/E/-T | TRANSISTOR | | | | R 155 | QRA14CF-2200Y | MF RESISTOR | 22 1/4W | |

■ Electrical parts list (Signal control board) Block No. 02

| △ | Item | Parts number | Parts name | Remarks | Area | △ | Item | Parts number | Parts name | Remarks | Area |
|---|-------|---------------|-------------|-----------|------|---|-------|--------------|-------------|---------|------|
| | R 156 | QRA14CF-1500Y | MF RESISTOR | 15 1/4W | | | R 287 | NRSA02J-102X | MG RESISTOR | | |
| | R 157 | NRSA02J-224X | MG RESISTOR | | | | R 288 | NRSA02J-102X | MG RESISTOR | | |
| | R 158 | NRSA02J-224X | MG RESISTOR | | | | R 289 | NRSA02J-102X | MG RESISTOR | | |
| | R 201 | QRZ0129-223Y | C RESISTOR | 22K 1/1W | | | R 290 | NRSA02J-102X | MG RESISTOR | | |
| | R 202 | QRZ0129-223Y | C RESISTOR | 22K 1/1W | | | R 291 | NRSA02J-104X | MG RESISTOR | | |
| | R 203 | QRZ0129-223Y | C RESISTOR | 22K 1/1W | | | R 292 | NRSA02J-100X | MG RESISTOR | | |
| | R 204 | QRZ0129-223Y | C RESISTOR | 22K 1/1W | | | R 293 | NRSA02J-102X | MG RESISTOR | | |
| | R 205 | QRZ0129-820Y | C RESISTOR | 82 1/1W | | | R 294 | NRSA02J-102X | MG RESISTOR | | |
| | R 206 | QRZ0129-820Y | C RESISTOR | 82 1/1W | | | R 295 | NRSA02J-102X | MG RESISTOR | | |
| | R 207 | QRZ0129-820Y | C RESISTOR | 82 1/1W | | | R 296 | NRSA02J-102X | MG RESISTOR | | |
| | R 208 | QRZ0129-820Y | C RESISTOR | 82 1/1W | | | R 297 | NRSA02J-102X | MG RESISTOR | | |
| | R 209 | QRZ0129-821Y | C RESISTOR | 820 1/1W | | | R 300 | QRV121F-3900 | MF RESISTOR | 39 1/2W | |
| | R 210 | QRZ0129-821Y | C RESISTOR | 820 1/1W | | | R 501 | NRSA02J-121X | MG RESISTOR | | |
| | R 211 | QRZ0129-821Y | C RESISTOR | 820 1/1W | | | R 502 | NRSA02J-131X | MG RESISTOR | | |
| | R 212 | QRZ0129-821Y | C RESISTOR | 820 1/1W | | | R 503 | NRSA02J-121X | MG RESISTOR | | |
| | R 221 | QRZ0129-821Y | C RESISTOR | 820 1/1W | | | R 504 | NRSA02J-331X | MG RESISTOR | | |
| | R 222 | QRZ0129-821Y | C RESISTOR | 820 1/1W | | | R 505 | NRSA02J-121X | MG RESISTOR | | |
| | R 223 | QRZ0129-821Y | C RESISTOR | 820 1/1W | | | R 506 | NRSA02J-121X | MG RESISTOR | | |
| | R 224 | QRZ0129-821Y | C RESISTOR | 820 1/1W | | | R 507 | NRSA02J-152X | MG RESISTOR | | |
| | R 225 | QRZ0129-330Y | C RESISTOR | 33 1/1W | | | R 508 | NRSA02J-152X | MG RESISTOR | | |
| | R 226 | QRZ0129-330Y | C RESISTOR | 33 1/1W | | | R 509 | NRSA02J-121X | MG RESISTOR | | |
| | R 227 | QRZ0129-153Y | C RESISTOR | 15K 1/1W | | | R 511 | NRSA02J-103X | MG RESISTOR | | |
| | R 228 | QRZ0129-153Y | C RESISTOR | 15K 1/1W | | | R 512 | NRSA02J-103X | MG RESISTOR | | |
| | R 229 | QRZ0129-332Y | C RESISTOR | 3.3K 1/1W | | | R 513 | NRSA02J-103X | MG RESISTOR | | |
| | R 230 | QRZ0129-332Y | C RESISTOR | 3.3K 1/1W | | | R 514 | NRSA02J-103X | MG RESISTOR | | |
| | R 233 | QRZ0129-912Y | C RESISTOR | 9.1K 1/1W | | | R 515 | NRSA02J-103X | MG RESISTOR | | |
| | R 234 | QRZ0129-912Y | C RESISTOR | 9.1K 1/1W | | | R 516 | NRSA02J-103X | MG RESISTOR | | |
| | R 239 | QRZ0129-183Y | C RESISTOR | 18K 1/1W | | | R 517 | NRSA02J-103X | MG RESISTOR | | |
| | R 240 | QRZ0129-183Y | C RESISTOR | 18K 1/1W | | | R 518 | NRSA02J-103X | MG RESISTOR | | |
| | R 241 | QRZ0129-330Y | C RESISTOR | 33 1/1W | | | R 519 | NRSA02J-103X | MG RESISTOR | | |
| | R 244 | QRZ0128-102Y | C RESISTOR | 1.0K 1/1W | | | R 521 | NRSA02J-121X | MG RESISTOR | | |
| | R 245 | QRZ0129-330Y | C RESISTOR | 33 1/1W | | | R 522 | NRSA02J-131X | MG RESISTOR | | |
| | R 249 | QRV121F-1001 | MF RESISTOR | 10 1/2W | | | R 523 | NRSA02J-131X | MG RESISTOR | | |
| | R 250 | QRV121F-1001 | MF RESISTOR | 10 1/2W | | | R 524 | NRSA02J-131X | MG RESISTOR | | |
| | R 253 | QRZ0129-272Y | C RESISTOR | 2.7K 1/1W | | | R 525 | NRSA02J-131X | MG RESISTOR | | |
| | R 254 | QRZ0129-272Y | C RESISTOR | 2.7K 1/1W | | | R 526 | NRSA02J-131X | MG RESISTOR | | |
| | R 255 | QRZ0129-821Y | C RESISTOR | 820 1/1W | | | R 527 | NRSA02J-131X | MG RESISTOR | | |
| | R 256 | QRZ0129-821Y | C RESISTOR | 820 1/1W | | | R 528 | NRSA02J-331X | MG RESISTOR | | |
| | R 257 | QRZ0129-221Y | C RESISTOR | 220 1/1W | | | R 531 | NRSA02J-103X | MG RESISTOR | | |
| | R 258 | QRZ0129-221Y | C RESISTOR | 220 1/1W | | | R 532 | NRSA02J-103X | MG RESISTOR | | |
| | R 259 | QRZ0129-220Y | C RESISTOR | 22 1/1W | | | R 533 | NRSA02J-103X | MG RESISTOR | | |
| | R 260 | QRZ0129-220Y | C RESISTOR | 22 1/1W | | | R 534 | NRSA02J-103X | MG RESISTOR | | |
| | R 261 | QRZ0129-221Y | C RESISTOR | 220 1/1W | | | R 535 | NRSA02J-103X | MG RESISTOR | | |
| | R 262 | QRZ0129-221Y | C RESISTOR | 220 1/1W | | | R 541 | NRSA02J-331X | MG RESISTOR | | |
| | R 265 | NRSA02J-223X | MG RESISTOR | | | | R 542 | NRSA02J-331X | MG RESISTOR | | |
| | R 266 | NRSA02J-333X | MG RESISTOR | | | | R 543 | NRSA02J-331X | MG RESISTOR | | |
| | R 267 | NRSA02J-103X | MG RESISTOR | | | | R 544 | NRSA02J-331X | MG RESISTOR | | |
| | R 270 | NRSA02J-331X | MG RESISTOR | | | | R 545 | NRSA02J-331X | MG RESISTOR | | |
| | R 271 | NRSA02J-391X | MG RESISTOR | | | | R 546 | NRSA02J-331X | MG RESISTOR | | |
| | R 272 | NRSA02J-391X | MG RESISTOR | | | | R 547 | NRSA02J-331X | MG RESISTOR | | |
| | R 273 | NRSA02J-391X | MG RESISTOR | | | | R 548 | NRSA02J-331X | MG RESISTOR | | |
| | R 274 | NRSA02J-222X | MG RESISTOR | | | | R 549 | NRSA02J-331X | MG RESISTOR | | |
| | R 275 | NRSA02J-222X | MG RESISTOR | | | | R 550 | NRSA02J-331X | MG RESISTOR | | |
| | R 276 | NRSA02J-222X | MG RESISTOR | | | | R 551 | NRSA02J-331X | MG RESISTOR | | |
| | R 277 | NRSA02J-331X | MG RESISTOR | | | | R 552 | NRSA02J-331X | MG RESISTOR | | |
| | R 278 | NRSA02J-331X | MG RESISTOR | | | | R 553 | NRSA02J-331X | MG RESISTOR | | |
| | R 279 | NRSA02J-331X | MG RESISTOR | | | | R 554 | NRSA02J-331X | MG RESISTOR | | |
| | R 280 | NRSA02J-104X | MG RESISTOR | | | | R 555 | NRSA02J-331X | MG RESISTOR | | |
| | R 281 | NRSA02J-103X | MG RESISTOR | | | | R 556 | NRSA02J-331X | MG RESISTOR | | |
| | R 282 | NRSA02J-473X | MG RESISTOR | | | | R 557 | NRSA02J-331X | MG RESISTOR | | |
| | R 283 | NRSA02J-103X | MG RESISTOR | | | | R 558 | NRSA02J-331X | MG RESISTOR | | |
| | R 285 | NRSA02J-102X | MG RESISTOR | | | | R 559 | NRSA02J-331X | MG RESISTOR | | |
| | R 286 | NRSA02J-102X | MG RESISTOR | | | | R 560 | NRSA02J-331X | MG RESISTOR | | |

■ Electrical parts list (Signal control board) Block No. 02

| △ | Item | Parts number | Parts name | Remarks | Area |
|---|-------|--------------|-----------------|-------------|------|
| | R 561 | NRSA02J-331X | MG RESISTOR | | |
| | R 562 | NRSA02J-331X | MG RESISTOR | | |
| | R 563 | NRSA02J-331X | MG RESISTOR | | |
| | R 564 | NRSA02J-331X | MG RESISTOR | | |
| | R 571 | NRSA02J-102X | MG RESISTOR | | |
| | R 572 | NRSA02J-105X | MG RESISTOR | | |
| | R 573 | NRSA02J-221X | MG RESISTOR | | |
| | R 574 | NRSA02J-103X | MG RESISTOR | | |
| | R 575 | NRSA02J-103X | MG RESISTOR | | |
| | R 576 | NRSA02J-103X | MG RESISTOR | | |
| | R 579 | NRSA02J-103X | MG RESISTOR | | |
| | R 580 | NRSA02J-102X | MG RESISTOR | | |
| | R 581 | NRSA02J-103X | MG RESISTOR | | |
| | R 582 | NRSA02J-104X | MG RESISTOR | | |
| | R 583 | NRSA02J-223X | MG RESISTOR | | |
| | R 584 | NRSA02J-223X | MG RESISTOR | | |
| | R 585 | NRSA02J-223X | MG RESISTOR | | |
| | R 586 | NRSA02J-103X | MG RESISTOR | | |
| | R 591 | NRSA02J-103X | MG RESISTOR | | |
| | R 593 | NRSA02J-103X | MG RESISTOR | | |
| | R 594 | QRE141J-271Y | C RESISTOR | 270 5% 1/4W | |
| | R 595 | QRE141J-271Y | C RESISTOR | 270 5% 1/4W | |
| | RY101 | QSK0105-001 | RELAY | | |
| | RY102 | QSK0105-001 | RELAY | | |
| | RY107 | QSK0105-001 | RELAY | | |
| | RY108 | QSK0105-001 | RELAY | | |
| | RY141 | QSK0105-001 | RELAY | | |
| | RY142 | QSK0105-001 | RELAY | | |
| | RY144 | QSK0105-001 | RELAY | | |
| | RY151 | QSK0105-001 | RELAY | | |
| | RY152 | QSK0105-001 | RELAY | | |
| | S 271 | QSW0870-001 | DIP SWITCH | | |
| | S 511 | QSW0802-001Z | TACT SWITCH | | |
| | S 512 | QSW0802-001Z | TACT SWITCH | | |
| | S 513 | QSW0802-001Z | TACT SWITCH | | |
| | S 514 | QSW0802-001Z | TACT SWITCH | | |
| | S 515 | QSW0802-001Z | TACT SWITCH | | |
| | S 516 | QSW0802-001Z | TACT SWITCH | | |
| | S 517 | QSW0802-001Z | TACT SWITCH | | |
| | S 521 | QSW0802-001Z | TACT SWITCH | | |
| | S 522 | QSW0802-001Z | TACT SWITCH | | |
| | S 523 | QSW0802-001Z | TACT SWITCH | | |
| | S 524 | QSW0802-001Z | TACT SWITCH | | |
| | S 525 | QSW0802-001Z | TACT SWITCH | | |
| | WR101 | WJK0121-001A | E-SI C WIRE C-B | | |
| | WR102 | WJA0014-001A | E-S ID WIRE C-B | | |
| | WR103 | WJA0015-001A | E-S ID WIRE C-B | | |
| | WR104 | WJA0016-001A | E-S ID WIRE C-B | | |
| | WR112 | WJA0013-001A | E-S ID WIRE C-B | | |
| | X 501 | QAX0246-001Z | RESONATOR | | |

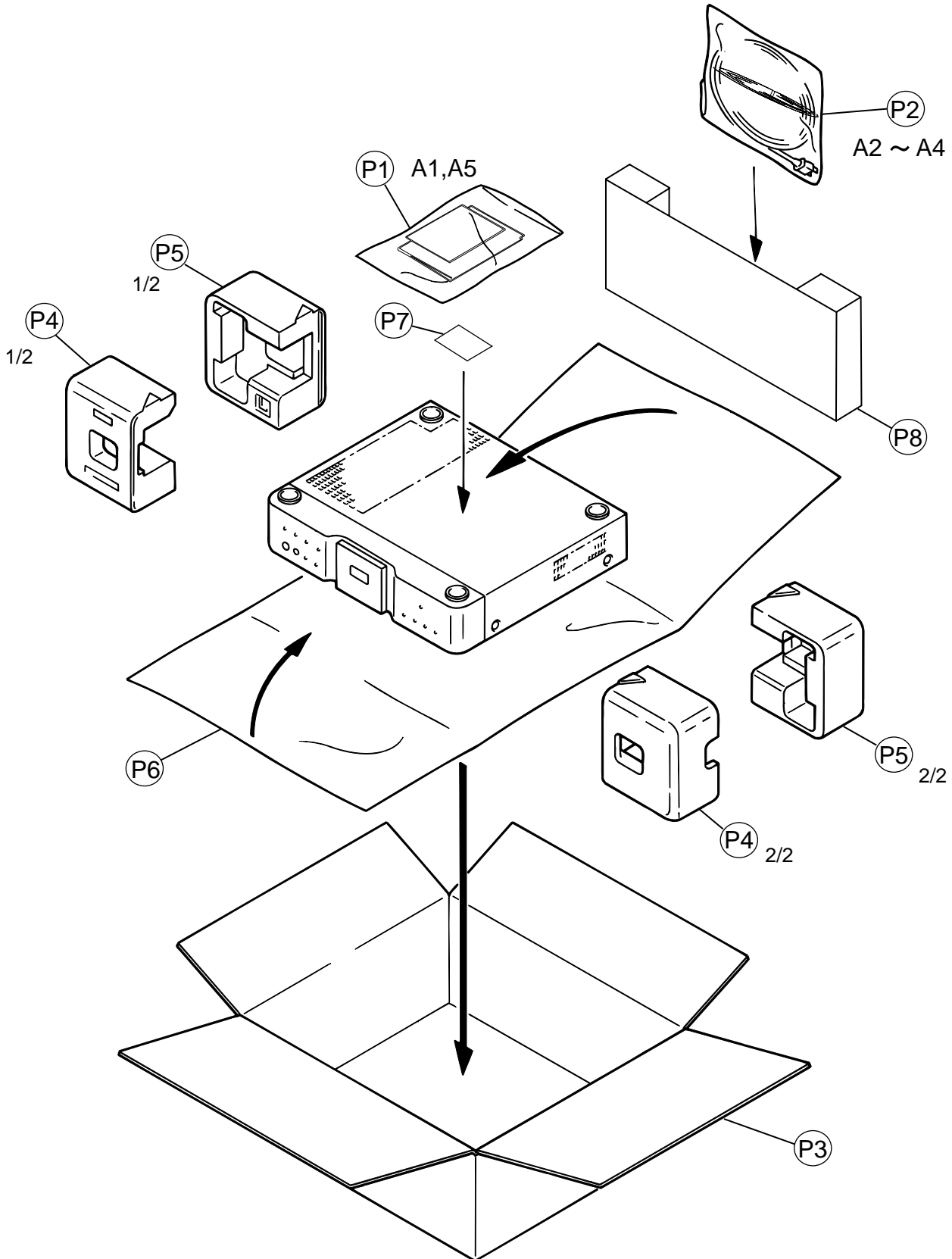
Packing materials and accessories parts list

Block No.

| | | | |
|---|---|---|---|
| M | 2 | M | M |
|---|---|---|---|

Block No.

| | | | |
|---|---|---|---|
| M | 3 | M | M |
|---|---|---|---|



Parts list (Packing)

Block No. M2MM

| △ | Item | Parts number | Parts name | Q'ty | Description | Area |
|---|------|--------------|-----------------|------|----------------|------|
| | P 1 | QPB02403404P | ENVELOPE | 1 | FOR INST | |
| | P 2 | QPA02403404P | ENVELOPE | 1 | FOR POWER CORD | |
| | P 3 | LV20607-003A | CARTON BOX | 1 | | |
| | P 4 | LV20608-001A | PACKING PAD | 1 | | |
| | P 5 | LV20609-001A | PACKING PAD | 1 | | |
| | P 6 | LV32028-001A | PROTECTOR SHEET | 1 | | |
| | P 7 | LV42559-001A | CAUTION SHEET | 1 | | |
| | P 8 | LV30385-006A | SHEET | 1 | | |

Parts list (Accessories)

Block No. M3MM

| △ | Item | Parts number | Parts name | Q'ty | Description | Area |
|---|------|---------------|--------------|------|-------------|------|
| | A 1 | LVT0652-001A | INST.BOOK | 1 | ENG | |
| | A 2 | E03709-001 | FREE UP BELT | 1 | POWER CORD | |
| △ | A 3 | QMPL140-200-K | POWER CORD | 1 | | |
| | A 4 | QAM0250-001 | TEL CORD | 1 | | |
| | A 5 | BT-54013-2 | W.CARD | 1 | | |